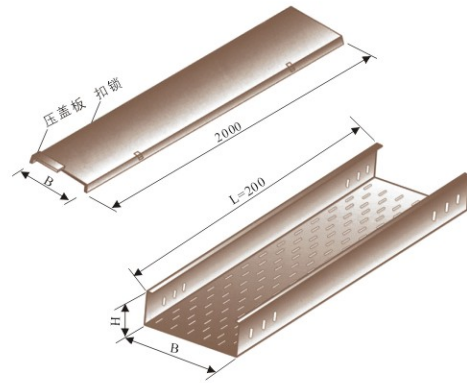


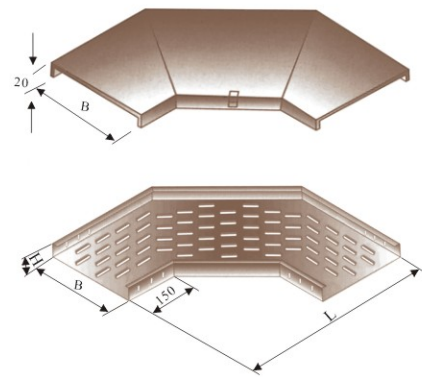
托盘式桥架

● 托盘式直通桥架



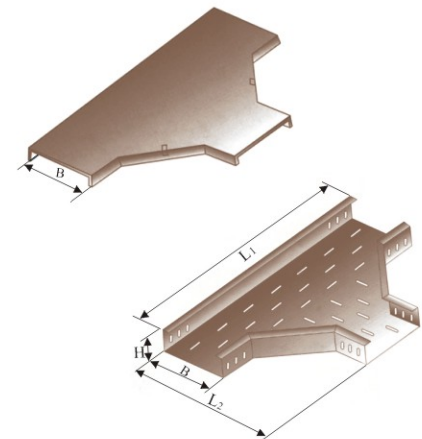
型号	B	H	槽体重量kg	护罩重量kg
P-01-6-2	200	60	17.65	7.82
P-01-10-2		100	24.85	
P-01-15-2		150	29.82	
P-01-6-3	300	60	26.04	11.04
P-01-10-3		100	29.19	
P-01-15-3		150	35.14	
P-01-6-4	400	60	39.64	17.52
P-01-10-4		100	44.94	
P-01-15-4		150	51.52	
P-01-6-5	500	60	46.35	24.26
P-01-10-5		100	51.53	
P-01-15-5		150	58.12	
P-01-6-6	600	60	57.12	31.12
P-01-10-6		100	58.14	
P-01-15-6		150	64.70	
P-01-6-8	800	60	65.96	40.75
P-01-10-8		100	71.33	
P-01-15-8		150	81.90	

● 托盘式水平弯通



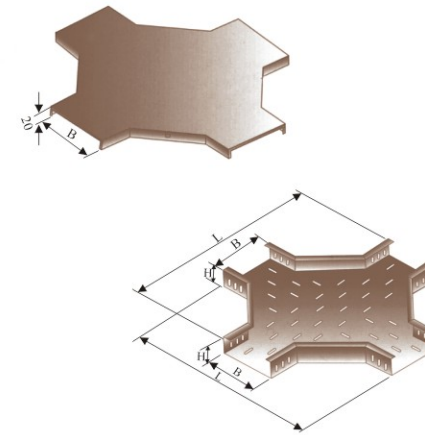
型号	B	H	L	槽体重量kg	护罩重量kg
P-02-6-2	200	60	500	6.63	2.77
P-02-10-2		100		8.03	
P-02-15-2		150		12.60	
P-02-6-3	300	60	600	9.50	4.29
P-02-10-3		100		10.99	
P-02-15-3		150		17.48	
P-02-6-4	400	60	700	19.23	8.04
P-02-10-4		100		21.80	
P-02-15-4		150		29.61	
P-02-6-5	500	60	800	25.22	10.68
P-02-10-5		100		28.19	
P-02-15-5		150		36.94	
P-02-6-6	600	60	900	21.87	14.88
P-02-10-6		100		35.07	
P-02-15-6		150		44.59	
P-02-6-8	800	60	1000	41.87	22.90
P-02-10-8		100		46.80	
P-02-15-8		150		63.22	

● 托盘式水平三通

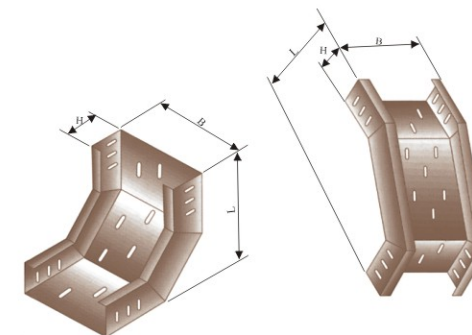


型号	B	H	L1	L2	槽体重量kg	护罩重量kg
P-03-6-2	200	60	800	500	10.02	4.95
P-03-10-2		100			14.10	
P-03-15-2		150			21.24	
P-03-6-3	300	60	900	600	16.40	7.28
P-03-10-3		100			18.36	
P-03-15-3		150			26.39	
P-03-6-4	400	60	1000	700	26.34	13.66
P-03-10-4		100			29.21	
P-03-15-4		150			41.75	
P-03-6-5	500	60	1100	800	33.18	17.07
P-03-10-5		100			36.32	
P-03-15-5		150			48.46	
P-03-6-6	600	60	1200	900	40.47	22.78
P-03-10-6		100			43.77	
P-03-15-6		150			59.40	
P-03-6-8	800	60	1400	1000	57.57	30.76
P-03-10-8		100			60.86	
P-03-15-8		150			70.29	

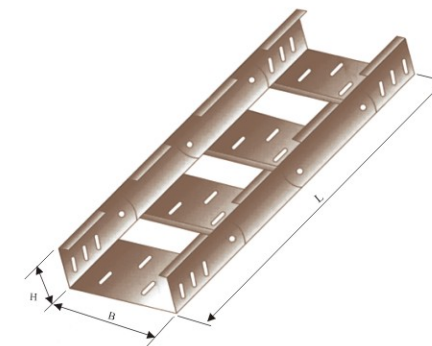
● 托盘式水平四通



● 托盘式垂直凹弯通 ● 托盘式垂直凸弯通



● 托盘式垂直转动弯通



托盘式桥架

型号	B	H	L	槽体重量kg	护罩重量kg
P-04-6-2	200	60	800	12.86	7.16
P-04-10-2		100		17.55	
P-04-15-2		150		27.72	
P-04-6-3	300	60	900	20.24	9.49
P-04-10-3		100		22.35	
P-04-15-3		150		32.51	
P-04-6-4	400	60	1000	30.02	16.82
P-04-10-4		100		34.41	
P-04-15-4		150		50.46	
P-04-6-5	500	60	1100	39.17	21.33
P-04-10-5		100		42.47	
P-04-15-5		150		59.31	
P-04-6-6	600	60	1200	47.21	28.61
P-04-10-6		100		50.30	
P-04-15-6		150		69.03	
P-04-6-8	800	60	1400	65.95	41.45
P-04-10-8		100		68.58	
P-04-15-8		150		89.91	

型号	B	H	L	槽体重量kg	护罩重量kg
P-05A, B-6-2	200	60	360	5.19	2.22
P-05A, B-10-2		100		7.39	
P-05A, B-15-2		150		13.32	
P-05A, B-6-3	300	60	360	7.25	3.14
P-05A, B-10-3		100		9.10	
P-05A, B-15-3		150		15.10	
P-05A, B-6-4	400	60	360	11.80	5.42
P-05A, B-10-4		100		14.23	
P-05A, B-15-4		150		21.95	
P-05A, B-6-5	500	60	360	13.87	6.65
P-05A, B-10-5		100		16.35	
P-05A, B-15-5		150		25.00	
P-05A, B-6-6	600	60	360	26.08	7.98
P-05A, B-10-6		100		28.63	
P-05A, B-15-6		150		39.49	
P-05A, B-6-8	800	60	360	33.53	11.34
P-05A, B-10-8		100		36.37	
P-05A, B-15-8		150		49.49	

型号	B	H	L	槽体重量kg
P-05C-6-2	200	60	660	7.07
P-05C-10-2		100	700	9.89
P-05C-15-2		150	950	16.83
P-05C-6-3	300	60	660	8.25
P-05C-10-3		100	700	11.51
P-05C-15-3		150	950	19.25
P-05C-6-4	400	60	660	17.52
P-05C-10-4		100	700	19.71
P-05C-15-4		150	950	32.22
P-05C-6-5	500	60	660	19.92
P-05C-10-5		100	700	22.19
P-05C-15-5		150	950	35.58
P-05C-6-6	600	60	660	22.19
P-05C-10-6		100	700	24.66
P-05C-15-6		150	950	37.85
P-05C-6-8	800	60	660	26.84
P-05C-10-8		100	700	29.61
P-05C-15-8		150	950	45.65